



SecuGuard

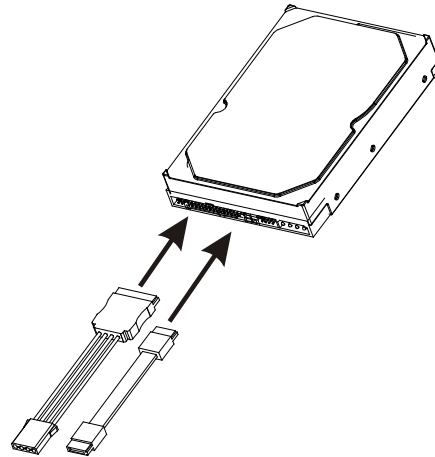
**Mini 1.0**

Quick Install Guide

## System Install:

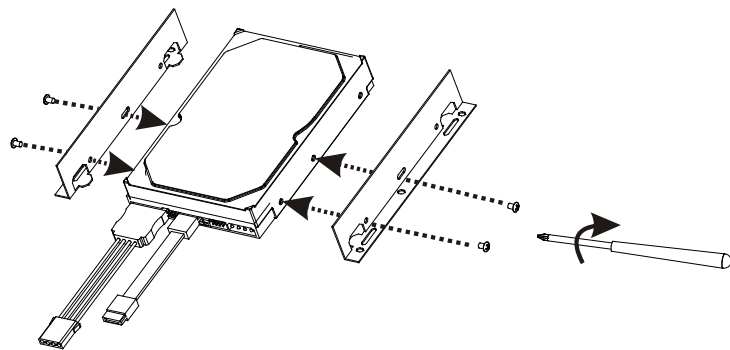
### Step 1:

Connect SATA data cord and power cord to hard disk.



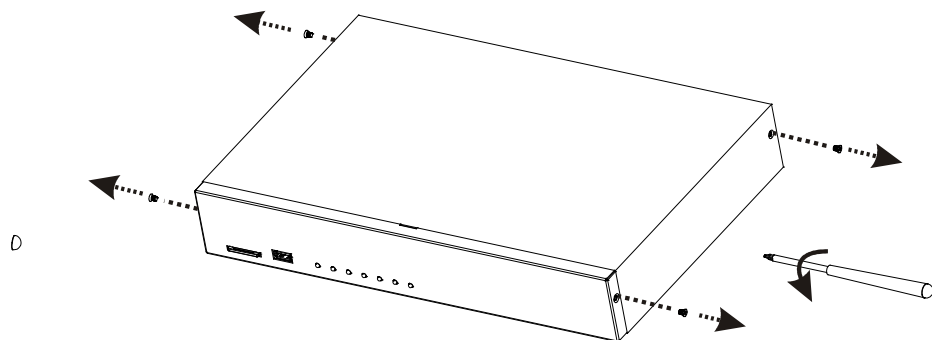
### Step 2:

Assembly the hard holder by the silver screws..



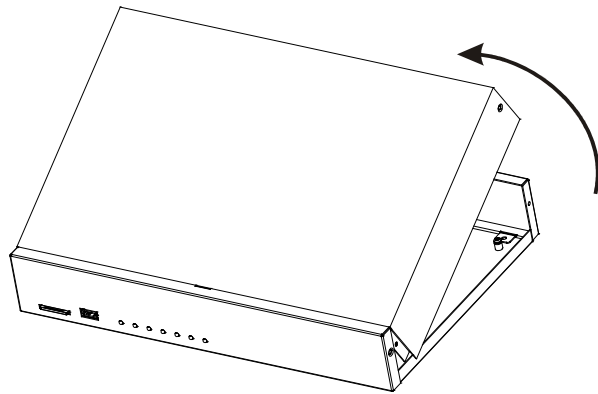
### Step 3:

Remove the screws from the case.



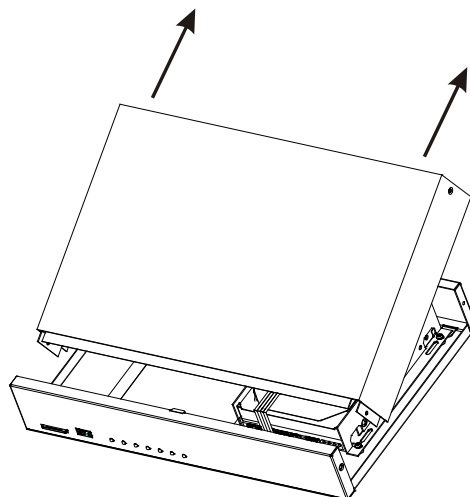
**Step 4:**

Lift up the top case.



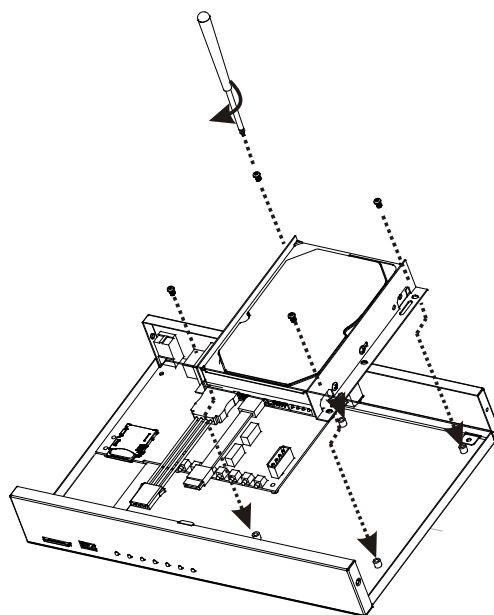
**Step 5:**

Pull back the top case to remove it.



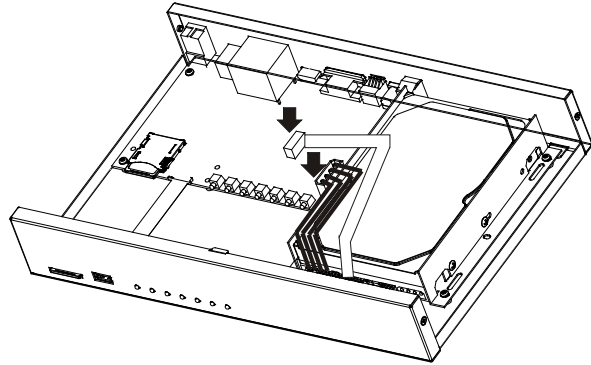
**Step 6:**

Assembly hard disk holder by black screws.



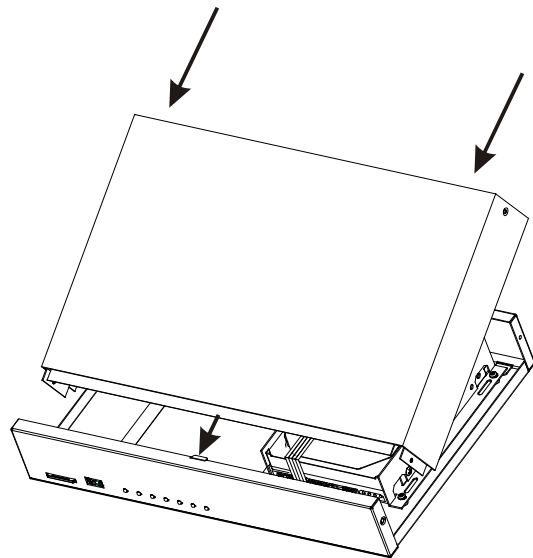
**Step 7:**

Connect SATA data and power cord to the SGMini PCB board..



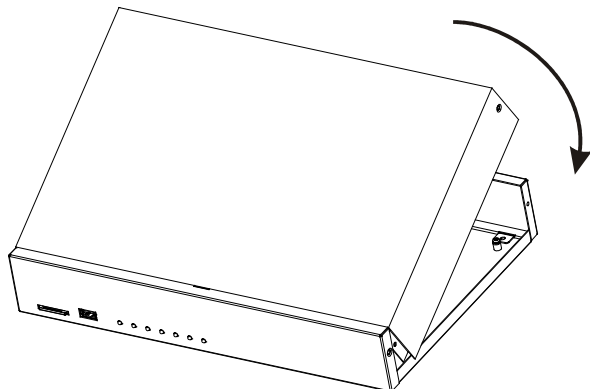
**Step 8:**

Assembly the top case .



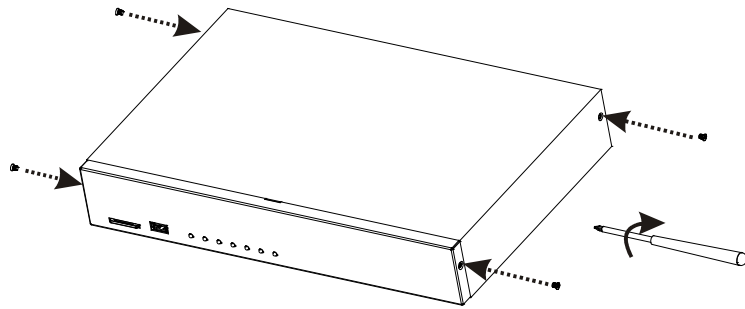
**Step 9:**

Put down the top case.



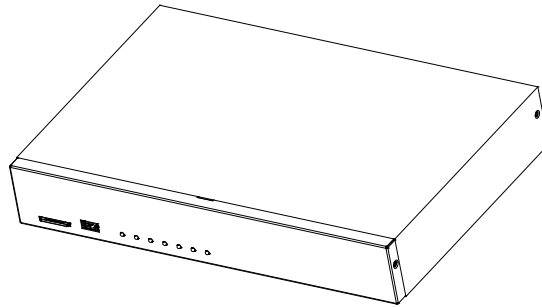
**Step 10:**

Assembly screws of the case.



**Step 11:**

Connect the power adapter and VGA jack to the back plane , and connect USB mouse to front panel.

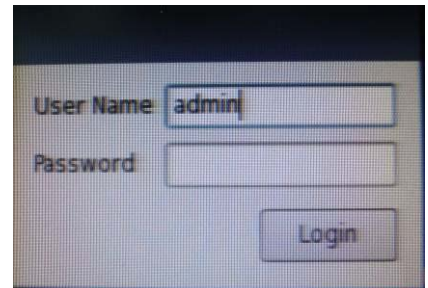


**Quick Start:**



1. Power On NVR , and wait until system boot finish .

2. Login NVR system, default login user is “admin” without password.



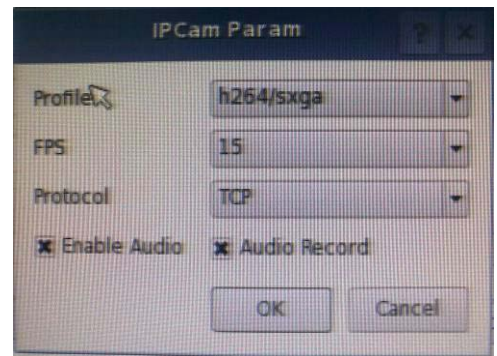
3. Click for enter system setting pages.

4. Click “Auto Setting” button at Camera page , system will auto insert 4 cameras from intranet or connected with NVR’s

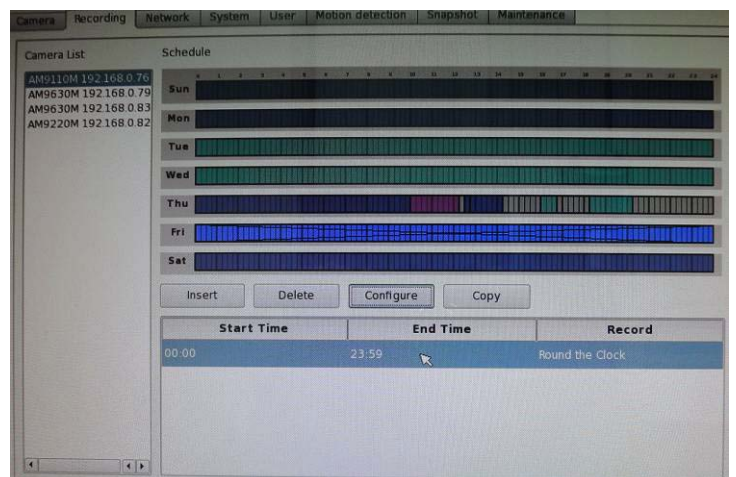
switch.

Camera Name	Model Name	IP Address	Http Port
AM9110M 192.168.0.76	AM9110M	192.168.0.76	80
AM9630M 192.168.0.79	AM9630M	192.168.0.79	80
AM9630M 192.168.0.83	AM9630M	192.168.0.83	80
AM9220M 192.168.0.82	AM9220M	192.168.0.82	80

5. Configuration each camera's parameter for streaming.



6. Configuration each camera's record schedule at "Recording" page.




7. Click "OK" button for save setting values and start recording jobs.

**Playback:**

1. Click  for enter playback page.



2. Click  for approach record data search dialog.



3. Select a playback date on calendar control , and click “Search” button to start search record data .
4. Select a camera and playback time period on search result with mouse dragging or date-time picker control.
5. Click “OK” button to prepare playback data and return playback main page.

6. Click  to start playback.