

Model: AH6013D-AI

Description: H.264+ 2-Megapixel MFZ Vandal IR IP Dome



Key Features

- H.264+, H.264 high profile, main profile, baseline and MJPEG simultaneously
- 25 / 30 fps real time at all resolution
- Motorized remote zoom and focus lens
- Smart IR LED control
- Power over Ethernet: IEEE 802.3af Class3
- Cyber security protection
- IP66 weather proof, IK10 vandal proof
- AI in edge

Camera	
Image Device	Sony 1/2.8" Starvis™ 2 Megapixel image sensor
Effective Pixels	1920x1080
Lens	Motorized MFZ Lens, f=2.8~12mm
Lens Adjustment	Remote zoom and focus
Min. Illumination	Color: 0.01 lux @F1.2_(AGC on) B/W: 0.005 lux @F1.2_(AGC on)
Day & Night	TDN (Mechanical ICR), Support auto / manual / schedule IR LED on/off
IR LED	High light LED. 20meter IR distance Smart IR control
Video	
Video Encoder	H.264+, H.264 (base line, main-profile, and hi-profile) and MJPEG simultaneously
Video Profile	Multi-streaming simultaneously



聯發光電股份有限公司

Tel: +886-2-82269855

www.a-mtk.com

sales@a-mtk.com

Frame Rate	Up to 25 / 30fps at all resolutions
Region of Interest	Multi-area ROI
Exposure Control	Auto / Auto Indoor / Manual Exposure (1/30s~1/27,000s) DOL WDR 100dB
Image Setting	AE, AWB 3D Noise reduction Color, brightness, sharpness, contrast, Hue Image Mirror/Flip, 90° Rotation Privacy Masks DIS Pixel Count Anti-False Color Defog
On Screen Display	Text, time and date overlay Multi-language OSD
Streaming	Simultaneously multi-streaming Streaming over UDP, TCP, HTTP, or HTTPS M-JPEG streaming over HTTP (server push) Controllable frame rate and bandwidth Constant and variable bit rate ROI (Region of interest) AOI (Higher Quality in AOI area)
Network	
Supported Protocols	IPv4, IPv6, TCP, UDP, HTTP, HTTPS, SMTP, FTP, NTP, DNS, DDNS, DHCP, DIPS, ARP, Bonjour, UPnP, RTSP, RTP, RTCP, IGMP, PPPoE, 3GPP, Samba, ICMP, SNMP, QoS, CoS, iSCSI , 802.1x
Security	Password protection, IP address filtering, HTTPS encrypted AES128, AES256, 802.1x, Gold capacitor
Users	8 simultaneous unicast users (Depends on final full system capability)
Ethernet	10Base-T/100Base-TX auto negotiation
System Integration	
Application Programming Interface	ONVIF compatible Open API for software integration
Alarm Triggers	Person detection Car detection License plate detection Cross line Restricted area Video motion detection Camera Tampering Digital input (DI) Network Disconnect
Motion Detection	10-zone video motion detection with included or excluded options
Alarm Events	File upload via FTP or email File upload via Samba to NAS Notification via email, HTTP, and TCP External output activation (DO) File save to local mSD card Push notify to A-MTK smart phone apps
General	
PoE	IEEE 802.3af class 3
On-board Connectors	RJ-45 10Base-T/100Base-TX 1 alarm input and 1 output (terminal block) Micro SD slot. Support SDXC up to 128GB capacity



聯發光電股份有限公司

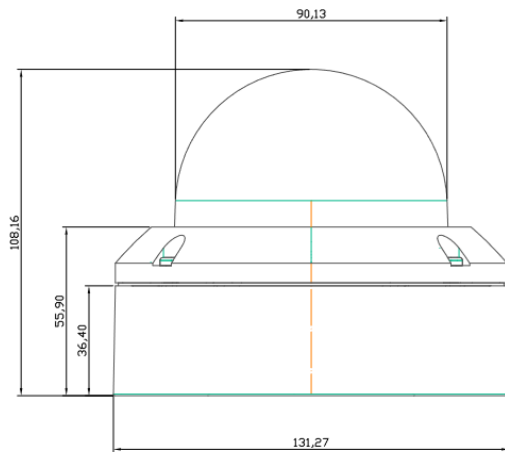
Tel: +886-2-82269855

www.a-mtk.com

sales@a-mtk.com

	Factory default reset button
Indication LED	Green and orange LEDs
Operating Temperature	-20°C to 50°C
Operating Humidity	20% ~ 80% (non-condensing)
Construction	IP66 weather proof IK10 vandal proof
Certification	CE, FCC, RoHS
Viewing System	
OS	Windows® 7, 8, 10
Browser	IE 9.0 or later, Mozilla Firefox, Chrome, Safari
Mobile Phone APPS	Android version and iOS version. OEM available

Dimension:



Optional accessory:



AM8256
Wall mount bracket